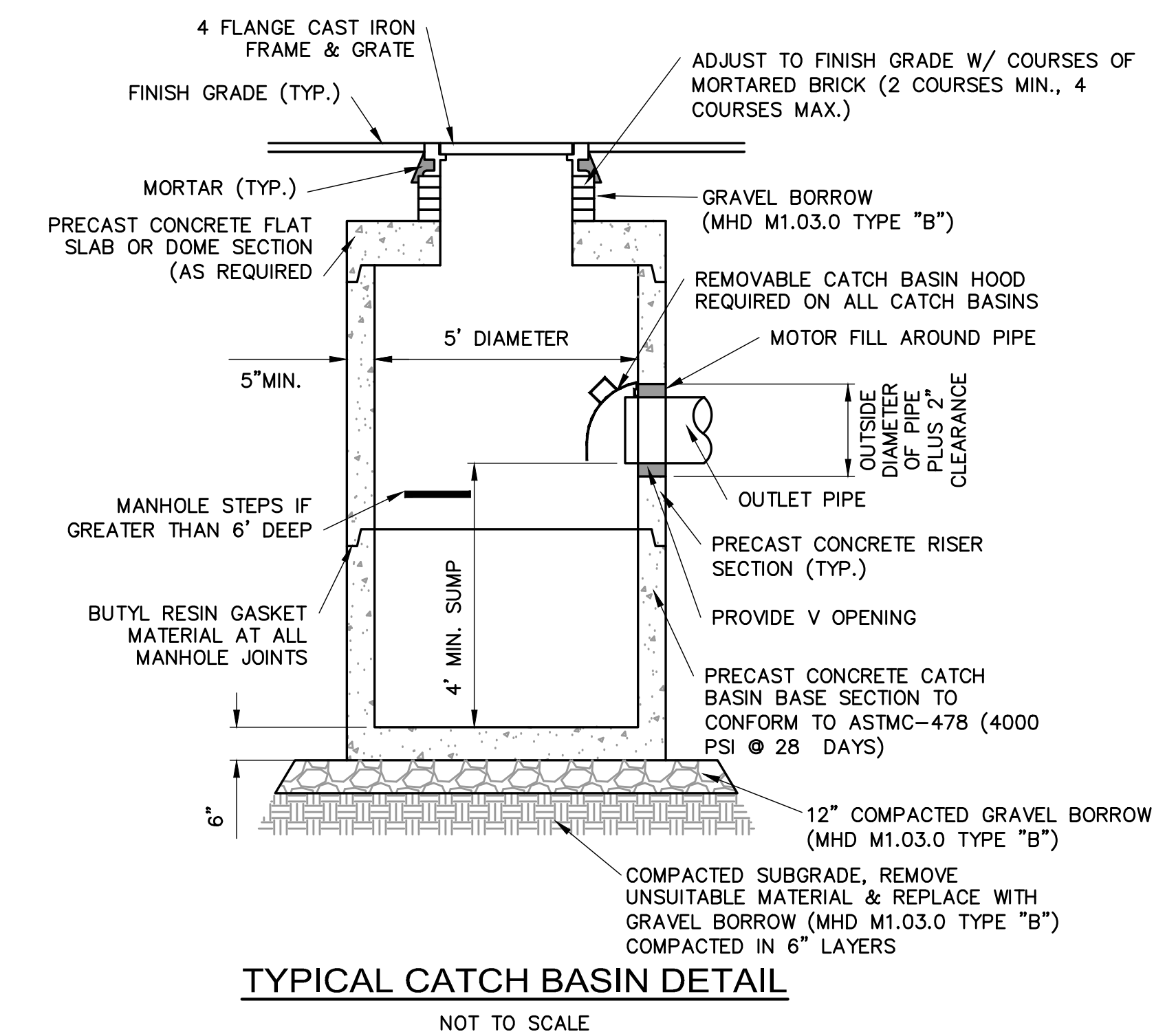
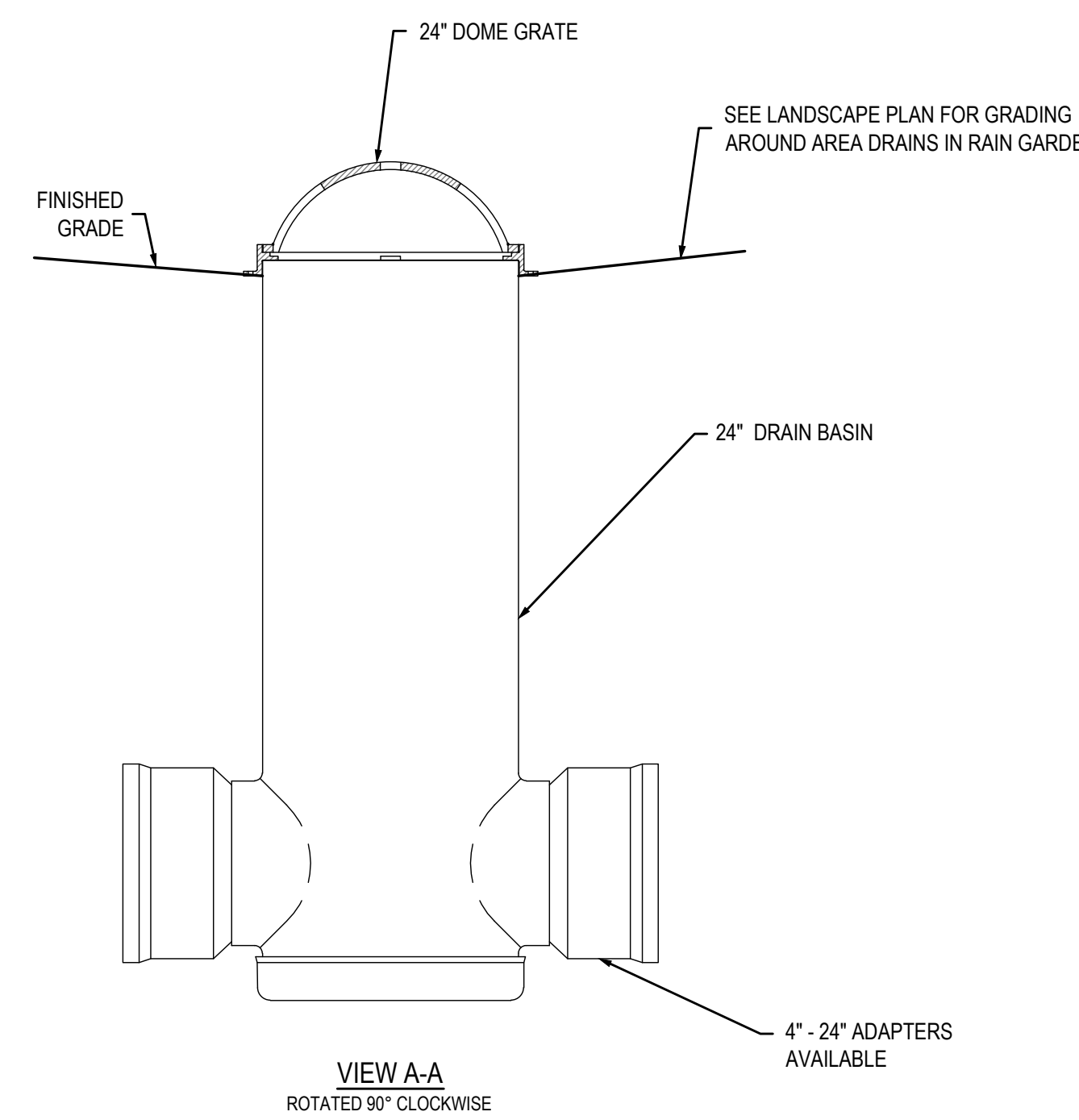


MANHOLE FRAME, COVER & SETTING DETAIL
NOT TO SCALE



AREA DRAIN IN PAVEMENT
NOT TO SCALE

PARTICLE SEPARATOR DETAIL
(UNIT SHOWN IS STORMCEPTOR 1800)
NOT TO SCALE

AREA DRAIN WITH DOME GRATE
NOT TO SCALE

TYPICAL CATCH BASIN DETAIL
NOT TO SCALE

